

ARMOILO™



3-in-1

3-in-1

Our 3-in-1 tablet stand is our original multi-purpose digital signage solution. Designed to be highly versatile, lightweight and rugged, the 3-in-1 works as a free-standing, desktop or wall-mountable display. It's easy to set up or pack away in our optional soft bag or hard shell aluminum carrying cases for a world-class trade show and event experience. The 3-in-1 won the coveted EXHIBITOR Buyers Choice award in 2012 for its build quality and unmistakable beauty.



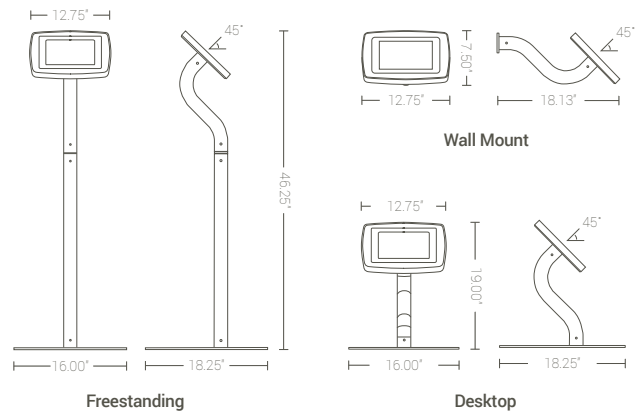
All three configurations shown in Sky White

All three configurations shown in Gun Metal Grey

All three configurations shown in Black

Features & Benefits

- 3-in-1 enclosure (freestanding, desktop and wall-mount) with a secure, fully enclosed ABS plastic tablet housing
- Award-winning design
- Lifetime Warranty
- Lightweight aluminum for easy transportation and reduced shipping costs
- Multi-tablet capability using our Tablet Fit Kit™ system
- ArmoLock™ security screws (stronger than traditional lock and key systems)
- Set up in landscape or portrait mode
- Fully integrated cable routing for a cable-free look
- Optional carrying case or bag options
- Many accessory and upgrade options available



	Freestanding	Desktop	Wall Mount
Height:	46.25" (1175 mm)	19.00" (483 mm)	7.50" (191 mm)
Width:	16.00" (406 mm)	16.00" (406 mm)	12.75" (324 mm)
Depth:	18.25" (464 mm)	18.25" (464 mm)	18.13" (461 mm)
Weight:	11.50 lbs (5.22 kg)	8.35 lbs (3.79 kg)	2.75 lbs (1.25 kg)
Cabling:	Cables can be run internally. Maximum cable opening 1.05" (27mm)		



Tablet-friendly
The only tablet enclosures in the world to offer true multi-tablet support
[Learn more >](#)



Lifetime Warranty
We offer a Limited Lifetime Warranty on all of our tablet enclosures and stands
[Learn more >](#)



Tough & Secure
The toughest and most [secure tablet stands](#) and enclosures available



Award winning
Our [award-winning](#) tablet enclosures and stands have been recognized in various industries



Made in NA
All Armodilo products are 100% designed and manufactured in North America

*Specifications subject to change without notice. © 2015 Armodilo Display Solutions, a division of Bonzai Design Group Inc. Armodilo™, ArmoLock™ and Tablet Fit Kit™ are trademarks of Armodilo Display Solutions. All rights reserved. Canadian Pat. No. 141837 | US Pat. No. D671545 | Other Patents Pending