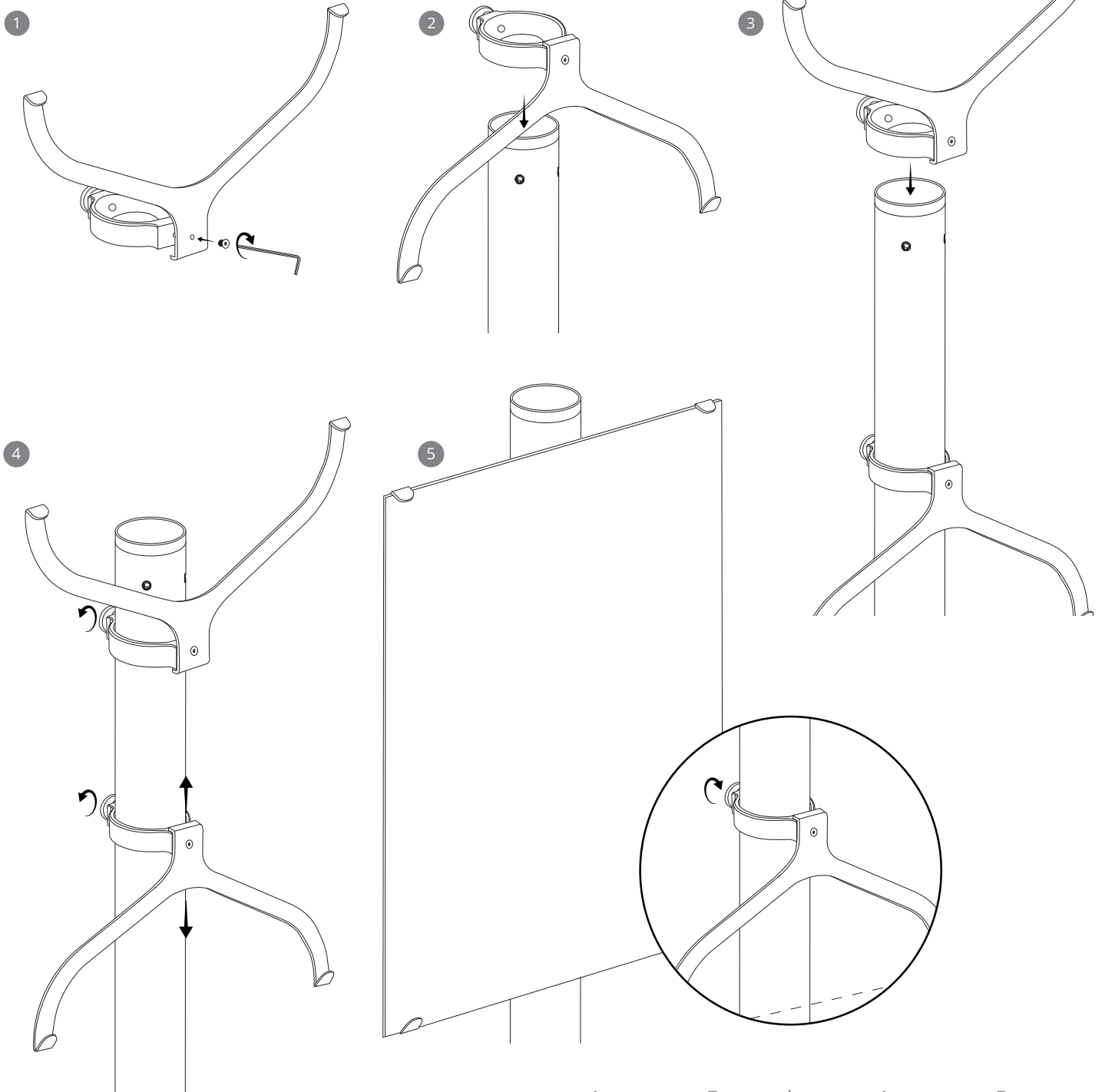


## Assembly



**Important:** Ensure that the threads on the screws are always aligned when fastening, improper alignment can strip the threads and void the warranty.

**Important:** Do not over-tighten any of the screws. Damage can result from excessive force on the screws that hold the components together.